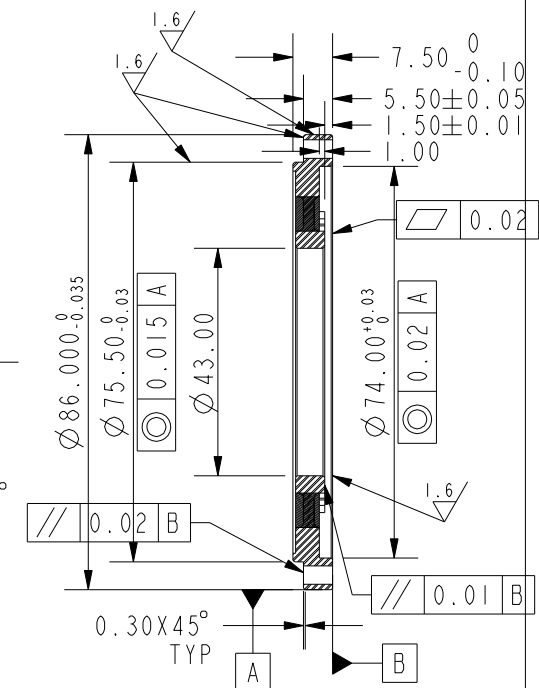
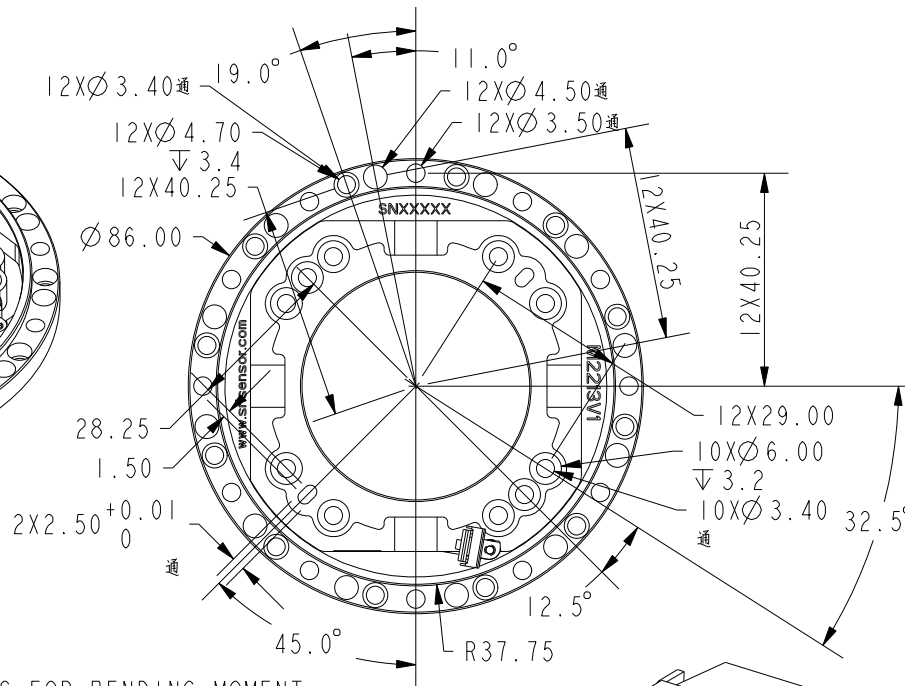


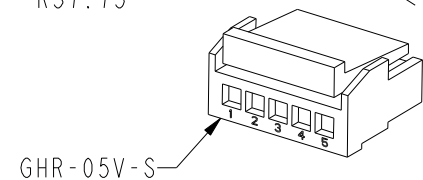
Ø 1.80 四芯屏蔽电缆
线长拉直水平从外圆390mm, 不含接头

GHR-05V-S



NOTE: THE OVERLOAD CAPACITIES FOR BENDING MOMENT, AXIAL AND RADIAL FORCE EXCEED 300% OF THOSE USED FOR CROSSTALK MEASUREMENT

SPECIFICATIONS	
CAPACITY (Nm)	130
OVERLOAD CAPACITY (%F.S.)	300
OUTPUT @ F.S.NOMINAL	1.8 MV/V
POWER SUPPLY (V)	4.5-5.0
BRIDGE RESISTANCE (Ω) NOMINAL	700
NON-LINEARITY	0.5
HYSTERESIS (%F.S.)	1.0
OPERATING TEMP. RANGE (°C)	-20 TO +100
CROSSTALK (%F.S.)	1.0
AXIAL FORCE FOR CROSSTALK (N)	200
RADIAL FORCE FOR CROSSTALK (N)	400
BENDING MOMENT FOR CROSSTALK (Nm)	100
TORSION ANGLE (CALCULATED)	0.05°
TORSIONAL STIFFNESS (KNm/RAD)	115
BENDING STIFFNESS (KNm/RAD)	19
MASS (KG)	0.11



GHR-05V-S

ATTENTION: RED WIRE MUST BE CONNECTED TO POSITIVE SUPPLY VOLTAGE AND BLACK TO GROUND. OTHERWISE CIRCUIT MAY GET DAMAGED!

DRAWING IN THIRD ANGLE PROJECTION

WIRING CODE		
	COLOR	FUNCTION
1	RED	+EX
2	WHITE	-SIG
3	GREEN	+SIG
4	BLACK	GND
5	SHIELDING WIRE	

SUNRISE INSTRUMENTS
www.srisensor.com

SINGLE AXIS TORQUE LOADCELL
D86MM, 130 Nm

UNLESS OTHERWISE SPECIFIED DIMENSIONS ARE IN MM	M2213V1	REV. C
--	---------	-----------