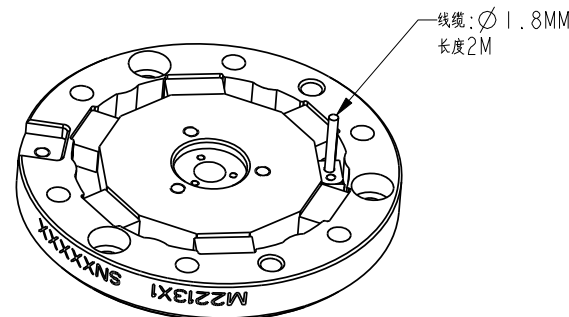


NOTE: THE OVERLOAD CAPACITIES FOR BENDING MOMENT, AXIAL AND RADIAL FORCE EXCEED 300% OF THOSE USED FOR CROSSTALK MEASUREMENT

ATTENTION: RED WIRE MUST BE CONNECTED TO POSITIVE SUPPLY VOLTAGE AND BLACK TO GROUND. OTHERWISE CIRCUIT MAY GET DAMAGED!



DRAWING IN THIRD ANGLE PROJECTION

SPECIFICATIONS

CAPACITY (Nm)	350
OVERLOAD CAPACITY (%F.S.)	300
OUTPUT @ F.S.NOMINAL	1.8 MV/V
POWER SUPPLY (V)	4.5-5.0
BRIDGE RESISTANCE (Ω) NOMINAL	350
NON-LINEARITY	0.5
HYSTERESIS (%F.S.)	1.0
OPERATING TEMP. RANGE (°C)	-20 TO +100
CROSSTALK (%F.S.)	1.0
AXIAL FORCE FOR CROSSTALK (N)	400
RADIAL FORCE FOR CROSSTALK (N)	400
BENDING MOMENT FOR CROSSTALK (Nm)	60
TORSION ANGLE (CALCULATED)	0.05°
TORSIONAL STIFFNESS (KNM/RAD)	400
BENDING STIFFNESS (KNM/RAD)	65
MASS (KG)	0.31

WIRING CODE

COLOR	FUNCTION
RED	+EX
GREEN	+SIG
BLACK	GND
BROWN	-SIG

SUNRISE INSTRUMENTS

www.srisensor.com

SINGLE AXIS TORQUE LOADCELL
D72.5MM, 350 Nm

UNLESS OTHERWISE SPECIFIED
DIMENSIONS ARE IN MM

M2213X1

REV.
A