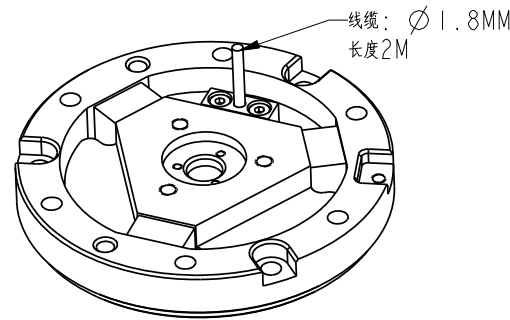


NOTE: THE OVERLOAD CAPACITIES FOR BENDING MOMENT, AXIAL AND RADIAL FORCE EXCEED 300% OF THOSE USED FOR CROSSTALK MEASUREMENT

ATTENTION: RED WIRE MUST BE CONNECTED TO POSITIVE SUPPLY VOLTAGE AND BLACK TO GROUND. OTHERWISE CIRCUIT MAY GET DAMAGED!



DRAWING IN THIRD ANGLE PROJECTION

SPECIFICATIONS	
CAPACITY (Nm)	100
OVERLOAD CAPACITY (%F.S.)	300
OUTPUT @ F.S.NOMINAL	1.8 MV/V
POWER SUPPLY (V)	4.5-5.0
BRIDGE RESISTANCE (Ω) NOMINAL	350
NON-LINEARITY	0.5
HYSTERESIS (%F.S.)	1.0
OPERATING TEMP. RANGE (°C)	-20 TO +100
CROSSTALK (%F.S.)	1.0
AXIAL FORCE FOR CROSSTALK (N)	200
RADIAL FORCE FOR CROSSTALK (N)	400
BENDING MOMENT FOR CROSSTALK (Nm)	100
TORSION ANGLE (CALCULATED)	0.05°
TORSIONAL STIFFNESS (KNm/RAD)	110
BENDING STIFFNESS (KNm/RAD)	20
MASS (KG)	0.072

WIRING CODE	
COLOR	FUNCTION
RED	+EX
GREEN	+SIG
BLACK	GND
BROWN	-SIG

SUNRISE INSTRUMENTS		
www.srisensor.com		
SINGLE AXIS TORQUE LOADCELL D62.5MM, 100 Nm		
UNLESS OTHERWISE SPECIFIED DIMENSIONS ARE IN MM	M2213X3	REV. B