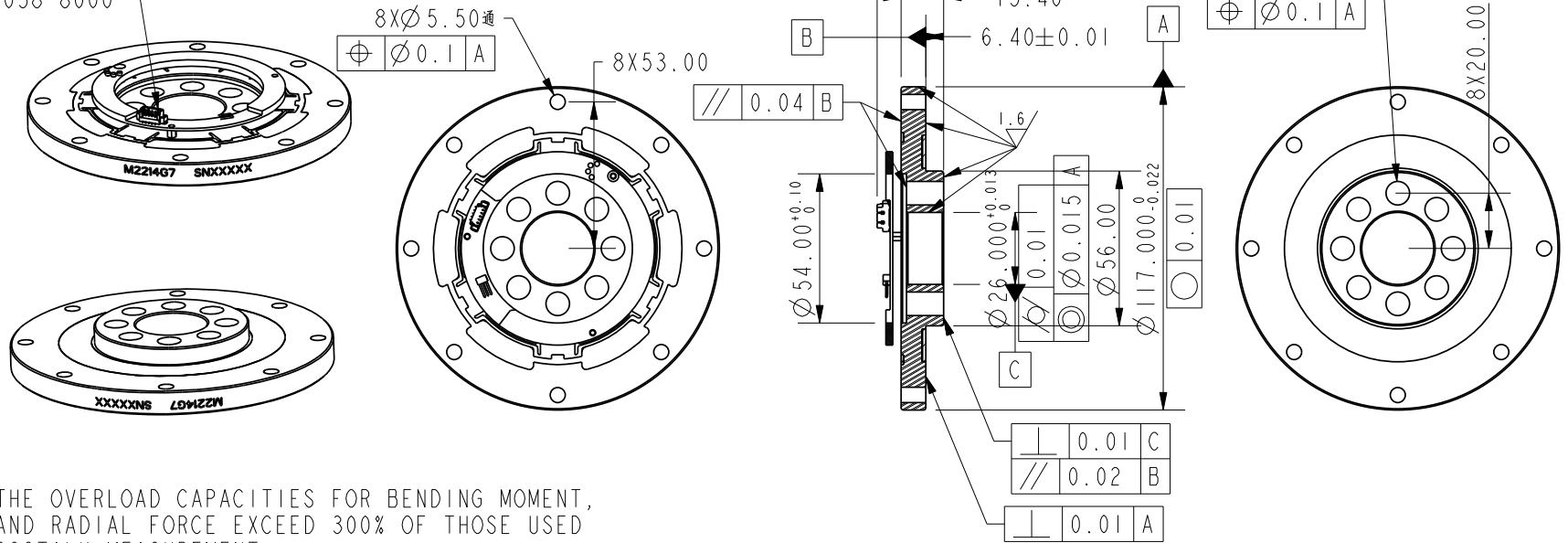


插座: 53398-0571  
 插头: 51021-0500  
 触芯: 50058-8000



NOTE: THE OVERLOAD CAPACITIES FOR BENDING MOMENT, AXIAL AND RADIAL FORCE EXCEED 300% OF THOSE USED FOR CROSSTALK MEASUREMENT

### SPECIFICATIONS

CAPACITY (Nm)	500
OVERLOAD CAPACITY (%F.S.)	300
DIGITAL OUTPUT	RS485
POWER SUPPLY (V)	5 $\pm 0.1$ V, 250MA
BRIDGE RESISTANCE ( $\Omega$ ) NOMINAL	350
NON-LINEARITY	0.5
HYSTERESIS (%F.S.)	1.0
OPERATING TEMP. RANGE ( $^{\circ}$ C)	-20 TO +100
CROSSTALK (%F.S.)	1.0
AXIAL FORCE FOR CROSSTALK (N)	1000
RADIAL FORCE FOR CROSSTALK (N)	2000
BENDING MOMENT FOR CROSSTALK (Nm)	100
TORSION ANGLE (CALCULATED)	0.05 $^{\circ}$
TORSIONAL STIFFNESS (KNm/RAD)	570
BENDING STIFFNESS (KNm/RAD)	95
MASS (KG)	0.63

ATTENTION: RED WIRE MUST BE CONNECTED TO POSITIVE SUPPLY VOLTAGE AND BLACK TO GROUND. OTHERWISE CIRCUIT MAY GET DAMAGED!

DRAWING IN THIRD ANGLE PROJECTION

### WIRING CODE

COLOR	FUNCTION
RED	+EX
GREEN	RS485-A
BLACK	GND
BROWN	RS485-B

**SUNRISE INSTRUMENTS**

[www.srisensor.com](http://www.srisensor.com)

SINGLE AXIS TORQUE LOADCELL  
 D117MM, 500 Nm

UNLESS OTHERWISE SPECIFIED  
 DIMENSIONS ARE IN MM

M2214G7

REV.  
 C