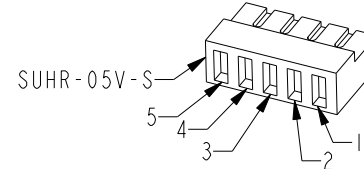
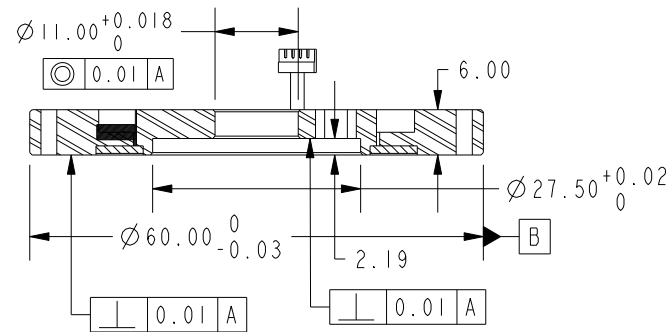
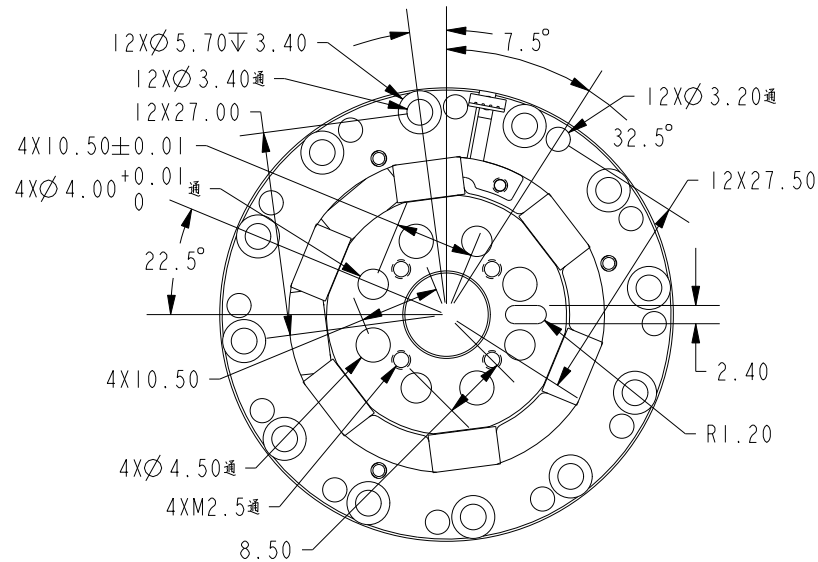


NOTE: THE OVERLOAD CAPACITIES FOR BENDING MOMENT, AXIAL AND RADIAL FORCE EXCEED 300% OF THOSE USED FOR CROSSTALK MEASUREMENT

SPECIFICATIONS

CAPACITY (Nm)	200
OVERLOAD CAPACITY (%F.S.)	200
OUTPUT @ F.S. (mv/V)	2±0.2
POWER SUPPLY (V)	3.5-12
BRIDGE RESISTANCE (Ω) NOMINAL	700
NON-LINEARITY (%F.S.)	0.5
HYSTERESIS (%F.S.)	1.0
OPERATING TEMP. RANGE (°C)	-20 TO +85
CROSSTALK (%F.S.)	1.0
AXIAL FORCE FOR CROSSTALK (N)	200
RADIAL FORCE FOR CROSSTALK (N)	400
BENDING MOMENT FOR CROSSTALK (Nm)	50
TORSION ANGLE (CALCULATED)	0.04°
TORSIONAL STIFFNESS (KNm/RAD)	260
BENDING STIFFNESS (KNm/RAD)	25
MASS (Kg)	0.09



所有外表面 3.2/√



WIRING CODE

	COLOR	FUNCTION
1	RED	+EX
2	WHITE	-SIG
3	GREEN	+SIG
4	BLACK	GND
5	SHIELDING WIRE	

SUNRISE INSTRUMENTS

www.srisensor.com

SINGLE AXIS TORQUE LOADCELL
D60MM, 200 Nm

DRAWING IN THIRD
ANGLE PROJECTION

UNLESS OTHERWISE SPECIFIED
DIMENSIONS ARE IN MM

M2214H6

REV.
A