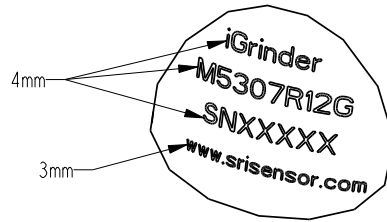
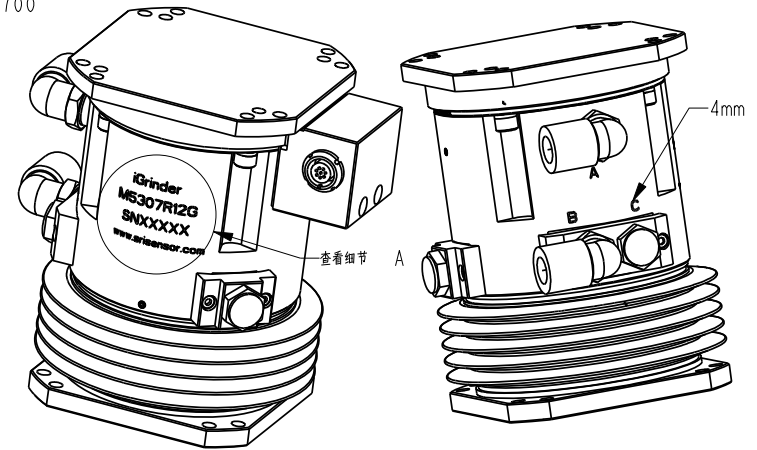


控制器: M8415R



细节 A 比例 0.700



SPECIFICATIONS	
MAX. FORCE - PUSH & PULL	150 N
FORCE ACCURACY	±1 N
STROKE	12 MM
STROKE MEASUREMENT ACCURACY	0.01 MM
PAYLOAD (MASS OF GRINDING TOOL)	7 KG
MAX. BENDING MOMENT - CRASH	200 NM
MAX. TORSION MOMENT - CRASH	200 NM
AIR SUPPLY	MAX. 7 BAR, OIL FREE, 0.05MM
AIR CONSUMPTION	5-10 L/MIN
MASS	2.2 KG
POWER SUPPLY	24V, 1A
COMMUNICATION - STANDARD	ETHERNET TCP/IP, RS232, I/O
COMMUNICATION - OPTIONAL	PROFINET
PROTECTION CLASS	IP65
OPERATION TEMPERATURE	-10 TO 60 °C

SUNRISE INSTRUMENTS
www.srisensor.com

LIGHT-WEIGHTED IGRINDER 12MM
HIGH STRENGTH

UNLESS OTHERWISE SPECIFIED DIMENSIONS ARE IN MM	M5307R12G	REV. B
--	-----------	-----------